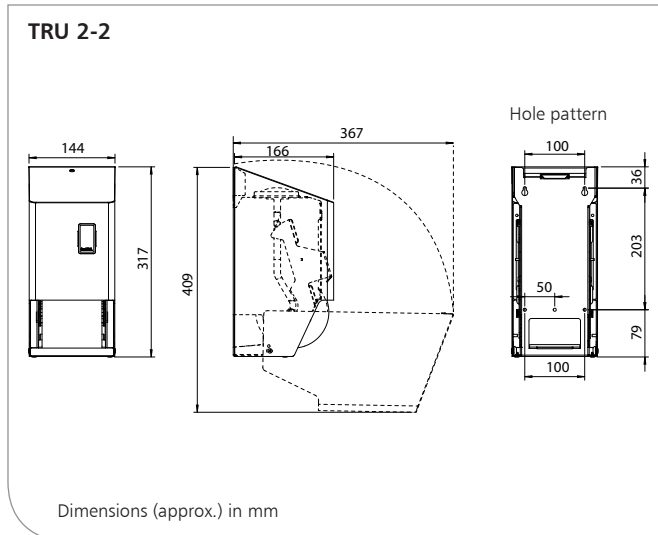


TRU 2-2

Dispenser for 2 standard toilet paper rolls, one above the other, ergonomic dispensing of paper, stainless steel (AFP) or powder-coated max. roll diameter 120 mm



Product characteristics

- ▶ Dispenser for standard toilet paper rolls
- ▶ Capacity of 2 standard toilet paper rolls
- ▶ Ergonomic and hygienic dispensing of toilet paper due to improved visibility and accessibility of paper
- ▶ High-quality and robust stainless steel housing
- ▶ Plastic lock with anti-vandalism function
- ▶ Automatic reloading of second roll when first roll is emptied
- ▶ Hygienic, sloped design prevents items from being placed on dispenser roof
- ▶ Easily filled from above
- ▶ Open without wall contact
- ▶ Vandalism-proof fill level window
- ▶ incl. mounting kit for three-point wall-mounting

Interesting information

References:

- ▶ Conference centres, exhibitions, airports, train stations, catering and hotels, retirement/care homes, hospitals, laboratories, commercial kitchens, food processing, industry, shopping centres, correctional facilities, schools, kindergartens, sports centres, administration facilities

Application examples:

- ▶ Washrooms

Technical data

- Housing: Stainless steel AISI 304, brushed with Anti-Fingerprint-Coating (AFP), powder-coated white (RAL 9010) or powder-coated matte black (RAL 9005)
- Viewing window: Transparent plastic
- Roll size compatibility: External diameter max. 120 mm
Internal diameter min. 38 mm
- Lock: Vandalism-proof lock, plastic
- Wall mounting: Wall mounting with 4 screws and wall plugs

Description for tender - see overleaf

TRU 2-2/0421/3.0



Subject to technical modifications.
Product compatibility testing required before
new filling materials are used!



OPHARDT HYGIENE-TECHNIK GmbH + Co. KG
Lindenau 27 | 47661 Issum | Germany
Tel.: +49 (0) 28 35 18-10 | Fax +49 (0) 28 35 18-77
planer@ophardt.com | www.ophardt.com

TRU 2-2

Dispenser for 2 standard toilet paper rolls, one above the other,
ergonomic dispensing of paper, stainless steel (AFP) or powder-coated
max. roll diameter 120 mm

Description for tender

SanTRAL® Classic TRU 2-2 E Steel Touch (ST)
Art. No. 1423396

. . . Pcs. Dispenser for 2 standard toilet rolls,
one above the other, max. Ø 120 mm,
with automatic replacement system,
**brushed stainless steel housing with OPHARDT
Hygiene Anti-Fingerprint-Coating (AFP),**
stainless steel back plate,
ergonomic and hygienic dispensing of toilet
paper due to improved visibility and accessibility
of paper,
with vandalism-proof lock,
vandalism-proof fill level window,
free choice of manufacturers for refill materials,
housing with sloped lid to prevent foreign
objects being placed on the dispenser
Dimensions (W x H x D) 144 x 317 x 166 mm

Other models:

TRU 2-2 P Ivory White (IW), white RAL 9010 Art. No. 1423398
TRU 2-2 P Midnight (MN), matte black RAL 9005 Art. No. 1423399

Additional RAL Classic colours available upon request.

Product: **SanTRAL® Classic**
Manufacturer: OPHARDT HYGIENE-TECHNIK GmbH + Co. KG